

Powertrain Control Solutions, LLC.
 10511 Old Ridge Road Ashland, VA 23005
 www.ptcs.us PHONE: (804) 227-3023 FAX: (804) 227-3005

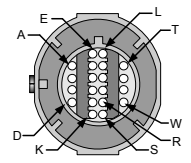
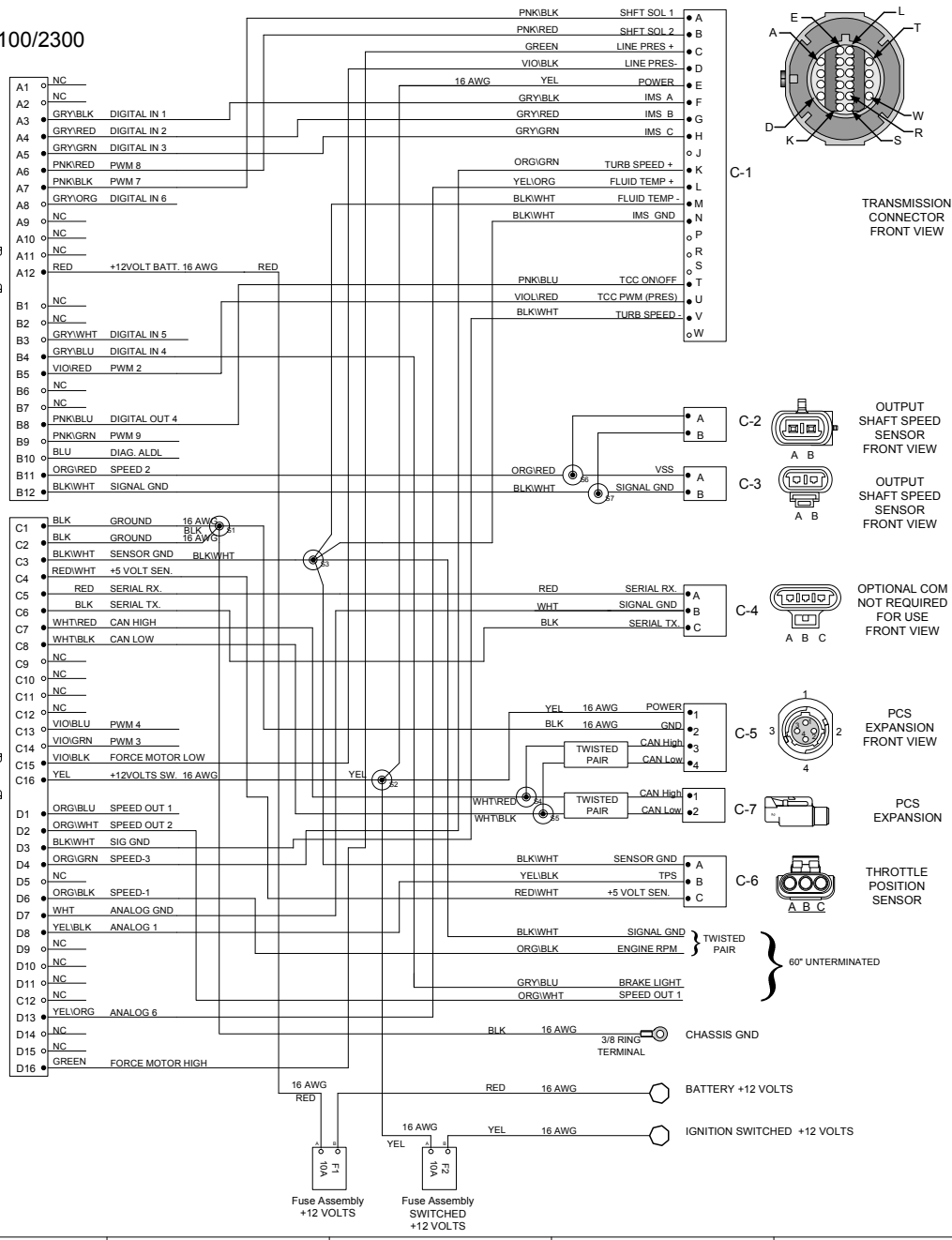
TITLE:
4L70 TCU-2100/2300 [2009+] HARNESS

PART #:
TCM-4325
 DESCRIPTION:
 TRANSMISSION HARNESS SCHEMATIC DIAGRAM FOR GM 4L70 TO TCU-2100/2300

DRAWN BY: F. DEARHART DATE: 9/1/2010 PAGE: 1 OF 2

REV.	DESCRIPTION	DATE	BY
0	Release	8/18/10	FD
1	CHANGE TPS PINOUT TO 2008+ SPEC.	10/11/2010	FD
1A	CHANGE OF ADDRESS	11/19/2012	FD
1B	UPDATE C2 C3 PART #S AND GRAPHICS	3/05/2013	FD
1C	UPDATE PART #S	6/17/2014	FD

TCU-2100/2300



QTY	DESCRIPTION	PIN	NOTES
1	CONNECTOR 24P	CON-1950	
1	CONNECTOR 32P	CON-1953	
30	TERMINALS	CON-1980	
1Ea.	LOCK TPA A:32 PIN	CON-1951	
1Ea.	LOCK TPA B:32 PIN	CON-1952	
1Ea.	LOCK TPA A:24 PIN	CON-1954	
1Ea.	LOCK TPA B:24 PIN	CON-1955	

QTY	DESCRIPTION	PIN	NOTES
1	CONNECTOR	CON-2000	
14	TERMINAL	CON-2804	20-22 AWG.
1	TERMINAL	CON-2805	16-18 AWG
5	BLOCKING PINS	CON-1044	BLUE
1	SEAL	CON-3309	LT. GREEN
1	CONDUIT CLIP	CON-2008	
1	TPA	CON-2003	GRY

QTY	DESCRIPTION	PIN	NOTES
1	CONNECTOR	CON-1071	F
2	PIN	CON-1086	M
2	SEAL	CON-1093	GRN
1	LOCK	CON-1072	3/5/2013

QTY	DESCRIPTION	PIN	NOTES
1	CONNECTOR	CON-1070	M
2	PINS	CON-1084	F
2	SEAL	CON-1093	GRN
1	LOCK	CON-1072	3/5/2013

QTY	DESCRIPTION	PIN	NOTES
1	CONNECTOR	CON-3416	
3	TERMINALS	CON-1038	
1	TPA	CON-3417	CREAM
3	CABLE SEALS	CON-1027	WHT

QTY	DESCRIPTION	PIN	NOTES
1	CONNECTOR	CON-0065	
4	TERMINALS	CON-0051	

QTY	DESCRIPTION	PIN	NOTES
1	CONNECTOR	CON-5050	
2	TERMINALS	CON-5200	(20-18gauge)
1	WEDGE LOCK	CON-5100	ORN

QTY	DESCRIPTION	PIN	NOTES
1	CONNECTOR	CON-2302	
3	TERMINALS	CON-1006	
3	RUBBER SEALS	CON-1004	

QTY	DESCRIPTION	PIN	NOTES
1	RING TERM.		3/8 ID 16-18 Ga.

F1 & F2	QTY	DESCRIPTION	PCS P/N	NOTES
	2	CONNECTOR	CON-2200	
	2	FUSE CAP.	CON-2201	BLK
	2	TPA	CON-2202	BLU
	4	TERMINAL	CON-1020	(18-16 AWG)
	1	FUSE - 1	CON-2217	3A
	1	FUSE - 2	CON-2221	10A
	4	CABLE SEAL	CON-1001	GRN

NOTES:
 1. WIRE SIZE IS 20 AWG. UNLESS OTHERWISE INDICATED.
 2. TWISTED INDICATED WIRES AT LEAST 10-12 TURNS PER FOOT

Statement of Conformance:
 1.) Applicable Standards and Specifications
 A.) ASME Y14.100-200
 B.) ASME Y14.5M-1994
 C.) IPC/WHMA-A-620A- CLASS 3
 2.) MARK IAW MIL-STD-130.

TXT	COLOR	NOTES
BLK	BLACK	
BRN	BROWN	
RED	RED	
ORN	ORANGE	
YEL	YELLOW	
LT.GRN	LIGHT GREEN	
GRN	GREEN	
LT.BLU	LIGHT BLUE	
BLU	BLUE	
VIO	VIOLET	
GRY	GRAY	
WHT	WHITE	
PNK	PINK	

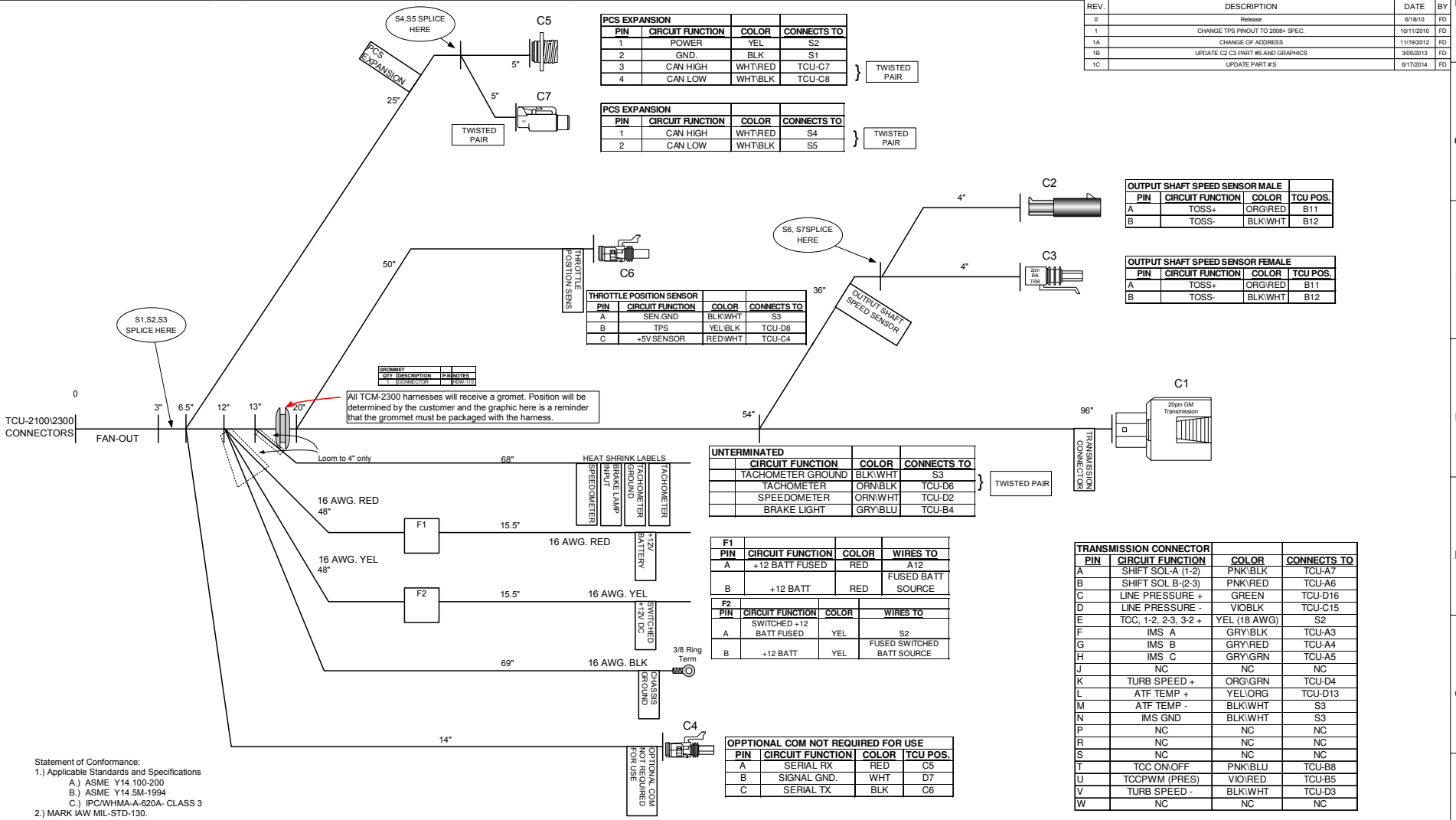
Powertrain Control Solutions, LLC.
 10511 Old Ridge Road Ashland, VA 23005
 www.ptcs.us PHONE: (804) 227-3023 FAX: (804) 227-3005

TITLE:
4L70 TCU-2100/2300 [2009+] HARNESS

PART #:
TCM-4325
 DESCRIPTION:
 TRANSMISSION HARNESS LINE LAYOUT DIAGRAM FOR GM 4L70 TO TCU-2100/2300

DRAWN BY: F. DEARHART DATE: 9/1/2010 PAGE: 2 OF 2

REV.	DESCRIPTION	DATE	BY
0	Release	6/18/10	FD
1	CHANGE TPS PINOUT TO 2008+ SPEC.	10/11/2010	FD
1A	CHANGE OF ADDRESS	11/19/2012	FD
1B	UPDATE C2 C3 PART #S AND GRAPHICS	3/25/2013	FD
1C	UPDATE PART #S	6/17/2014	FD



Statement of Conformance:
 1.) Applicable Standards and Specifications
 A.) ASME Y14.100-200
 B.) ASME Y14.5M-1994
 C.) IPC/WHMA-A-620A-CLASS 3
 2.) MARK IAW MIL-STD-130.

- NOTES:
1. WIRE SIZE IS 20 AWG. UNLESS OTHERWISE INDICATED.
 2. TWIST INDICATED WIRE AT LEAST 10-12 TURNS PER FOOT.
 3. TAPE ALL LOOM JOINTS.
 4. WIRE LENGTHS AND SPLICE LOCATIONS WILL BE ADDED TO TABLE AFTER FIRST HARNESS IS COMPLETED.
 5. ALL TAGS ARE PLACED NO MORE THAN 2" FROM CONNECTOR OR WIRE END.
 6. MAIN WIRE TRUNK WIRE LENGTH IS A CONTINUOUS MEASUREMENT 0-60". DISTANCES BETWEEN BREAK LINES ARE IN ADDITION TO MAIN TRUNK LENGTH.

SPLICE INFORMATION

S#	FUNCTION	COLOR
S1	GROUND	BLK
S2	12 VOLTS SWITCHED	YEL
S3	SENSOR GROUND	BLK/WHT
S4	CAN HIGH	WHT/RED
S5	CAN LOW	WHT/BLK
S6	VSS	ORG/RED
S7	VSS SENSOR GND	BLK/WHT

WIRE COLOR ABBREVIATIONS

TX	COLOR	NOTES
BLK	BLACK	
BRN	BROWN	
RED	RED	
ORN	ORANGE	
YEL	YELLOW	
LT.GRN	LIGHT GREEN	
GRN	GREEN	
LT.BLU	LIGHT BLUE	
BLU	BLUE	
VIO	VIOLET	
GRY	GRAY	
WHT	WHITE	
PNK	PINK	