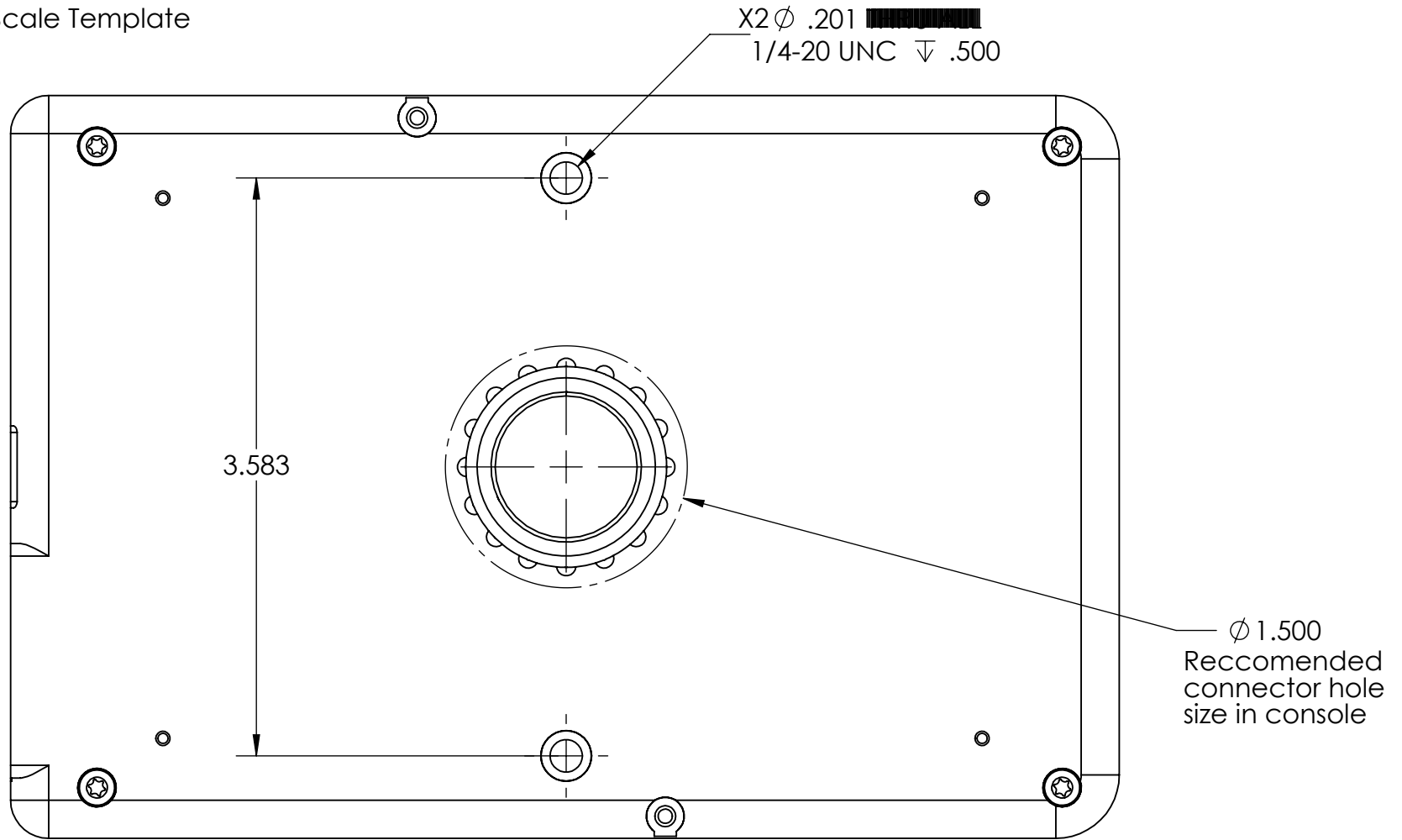


PROPRIETARY AND CONFIDENTIAL:
 THE INFORMATION CONTAINED IN THIS DRAWING IS THE SOLE PROPERTY OF POWERTRAIN CONTROL SOLUTIONS. ANY REPRODUCTION IN PART OR AS A WHOLE WITHOUT THE WRITTEN PERMISSION OF POWERTRAIN CONTROL SOLUTIONS IS PROHIBITED BY LAW.

DIMENSIONS ARE IN INCHES: Linear Tolerance: $\pm .005$ Angular Tolerance: ± 1 degree		NAME MFP	DATE 9/25/2012	Powertrain Control Solutions	
MATERIAL: Plastic	FINISH:	ENG APPR. MFP	11/19/2012	PART NAME: D200 Dash Logger	
COMMENTS: -Standard D200 is not weather sealed		SCALE: 1:2		SIZE A	PCS P/N : DIS2022
DO NOT SCALE DRAWING		WEIGHT: 0.925lb		Related Project	REV. 1
		SHEET 1 OF 2		D200 Dash Logger	

1:1 Scale Template



PROPRIETARY AND CONFIDENTIAL:
 THE INFORMATION CONTAINED IN THIS DRAWING IS THE SOLE PROPERTY OF POWERTRAIN CONTROL SOLUTIONS. ANY REPRODUCTION IN PART OR AS A WHOLE WITHOUT THE WRITTEN PERMISSION OF POWERTRAIN CONTROL SOLUTIONS IS PROHIBITED BY LAW.

DIMENSIONS ARE IN INCHES: Linear Tolerance: ± .005 Angular Tolerance: ± 1 degree		NAME MFP	DATE 9/25/2012	Powertrain Control Solutions	
MATERIAL : Plastic		ENG APPR. MFP	11/19/2012	PART NAME: D200 Dash Logger	
FINISH :		COMMENTS : -Standard D200 is not weather sealed		SIZE A	PCS P/N : DIS2022
DO NOT SCALE DRAWING		SCALE: 1:1	WEIGHT: 0.925lb	Related Project	REV. 1
		SHEET 2 OF 2		D200 Dash Logger	