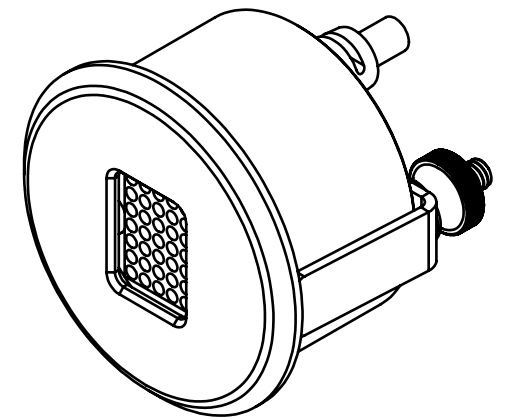


PART NUMBER	PART NAME	CANBUS 1	CANBUS 2	CANBUS 3	CANBUS 4
GDR5000	ROUND GEAR DISPLAY - CURRENT GEAR, BLACK HOUSING, UNTERMINATED	PCS @ 500Hz	GMLAN@500Hz	J1939@250Hz	PCS-J1939@250Hz
GDR5001	ROUND GEAR DISPLAY - LEVER POSITION, BLACK HOUSING, UNTERMINATED	GMLAN@500Hz	N / A	N / A	N / A
GDR5100	ROUND GEAR DISPLAY - CURRENT GEAR, POLISHED HOUSING, UNTERMINATED	PCS @ 500Hz	GMLAN@500Hz	J1939@250Hz	PCS-J1939@250Hz
GDR5101	ROUND GEAR DISPLAY - LEVER POSITION, POLISHED HOUSING, UNTERMINATED	GMLAN@500Hz	N / A	N / A	N / A



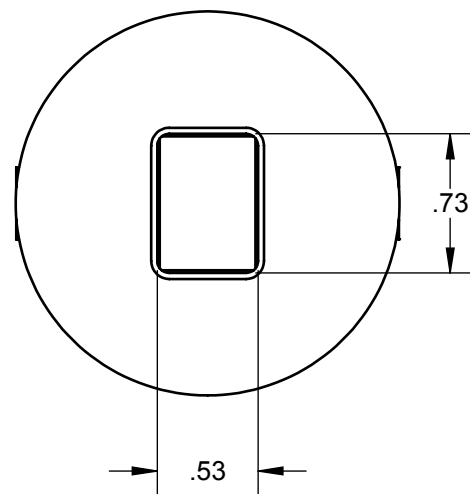
ISO VIEW
INSTALLED
SCALE: 1:1

NOTES:

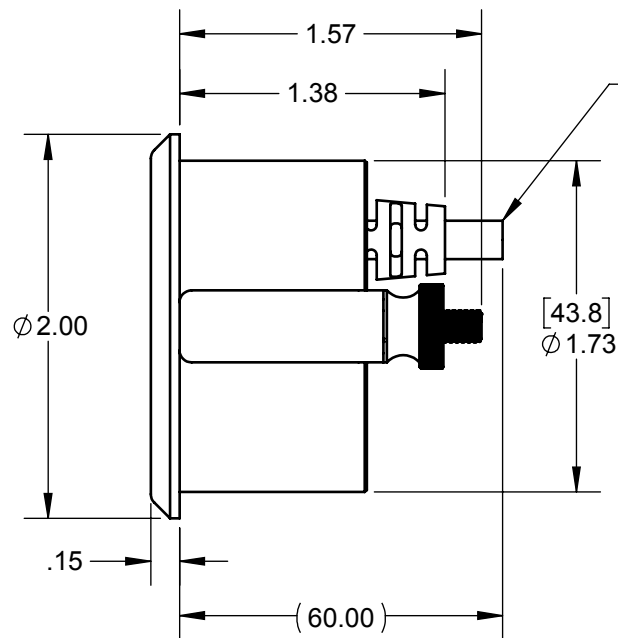
- THIS DOCUMENT IS INTENDED AS A GENERAL REFERENCE FOR CUSTOMERS / VEHICLES INTENDING TO HAVE A PCS "ROUND GEAR INDICATOR".
- DO NOT INSTALL ANY COMPONENTS THAT SHOW MANUFACTURING DEFECTS OR SHIPPING DAMAGES.
- THE ROUND GEAR INDICATOR IS NOT WEATHER-PROOF AND SHOULD NOT BE INCORPORATED INTO OPEN-CAB VEHICLES SUCH AS CONVERTIBLES, MOTORCYCLES, SLINGSHOTS, OR ATV'S. DOING SO WILL VOID THE WARRANTY.
- DO NOT DISASSEMBLE THE UNIT, DOING SO WILL VOID THE WARRANTY.
- ACCEPTABLE CANBUS PROTOCOL OPTIONS ARE SHOWN ABOVE FOR EACH MODEL. "PCS-J1939@250Hz" IS SHORT FOR "PCS PROPRIETARY ON J1939 @ 250Hz".
- "CURRENT GEAR" MODELS DISPLAY THE GEAR CURRENTLY BEING COMMANDED BY THE TRANSMISSION-CONTROLLER. "COMMANDED GEAR".
- "LEVER POSITION" MODELS DISPLAY THE PHYSICAL POSITION OF THE RANGE SENSOR (COLUMN, CONSOLE, OR TRANSMISSION INTERNAL BASED ON OEM DESIGN).

WIRE COLOR	DESCRIPTION
RED	SWITCHED +12V
BLACK	GROUND
WHITE	CAN HIGH
GREEN	CAN LOW
ORANGE OR PINK	DIM ON / OFF

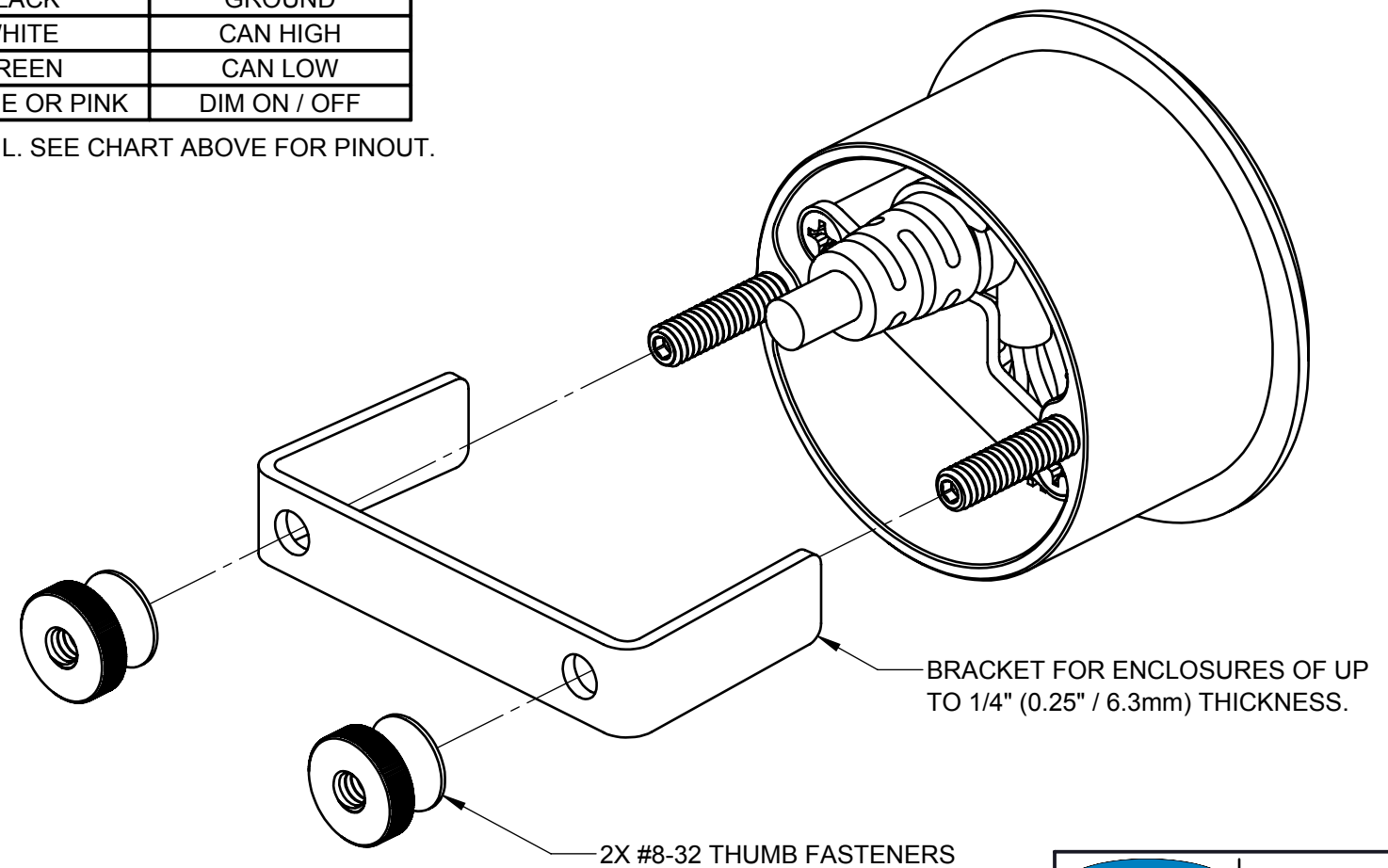
60" PIGTAIL. SEE CHART ABOVE FOR PINOUT.



FRONT VIEW
SCREEN SIZE
SCALE: 1:1



SIDE VIEW
DEPTHS AND DIAMETERS
SCALE: 1:1



ISO VIEW
INSTALL HDW
SCALE: 1:1

BRACKET FOR ENCLOSURES OF UP TO 1/4" (0.25" / 6.3mm) THICKNESS.

2X #8-32 THUMB FASTENERS



DESCRIPTION	ROUND GEAR DISPLAY	
-------------	--------------------	--

PROPRIETARY AND CONFIDENTIAL
THE INFORMATION CONTAINED IN THIS DRAWING IS THE SOLE PROPERTY OF PCS. ANY REPRODUCTION IN PART OR AS A WHOLE WITHOUT THE WRITTEN PERMISSION OF PCS IS PROHIBITED.

DRAWN BY	MFP	9/5/2018
ENG APPR.		
DIMENSIONS ARE IN INCHES		
SCALE: 1:2	SHEET 1 OF 2	

USED ON	NEXT ASSEMBLY
SIZE	DRAWING NO.
B	SEE CHART
REV	1