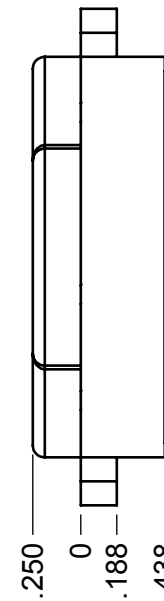
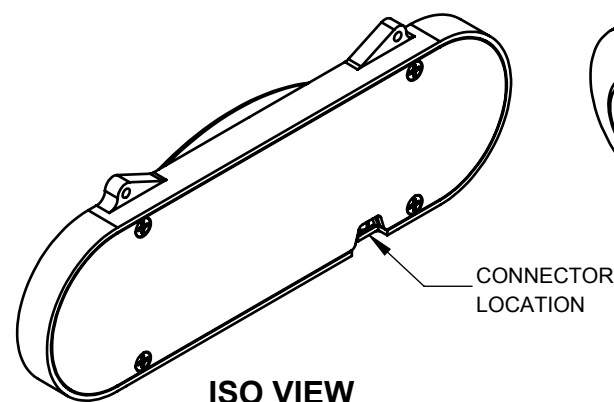


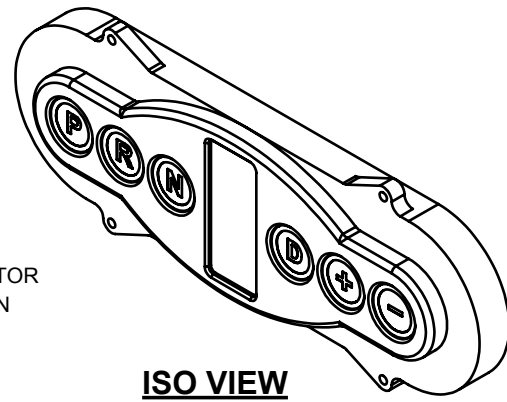
FRONT VIEW - HORIZONTAL
EXPOSED DIMENSIONS
SCALE: 1:1



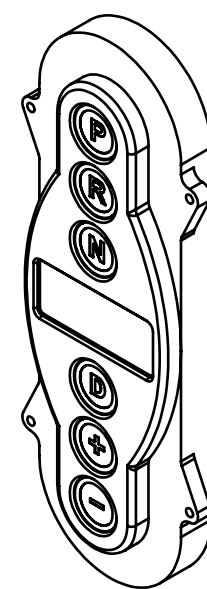
SIDE VIEW
CASE DEPTHS
SCALE: 1:1



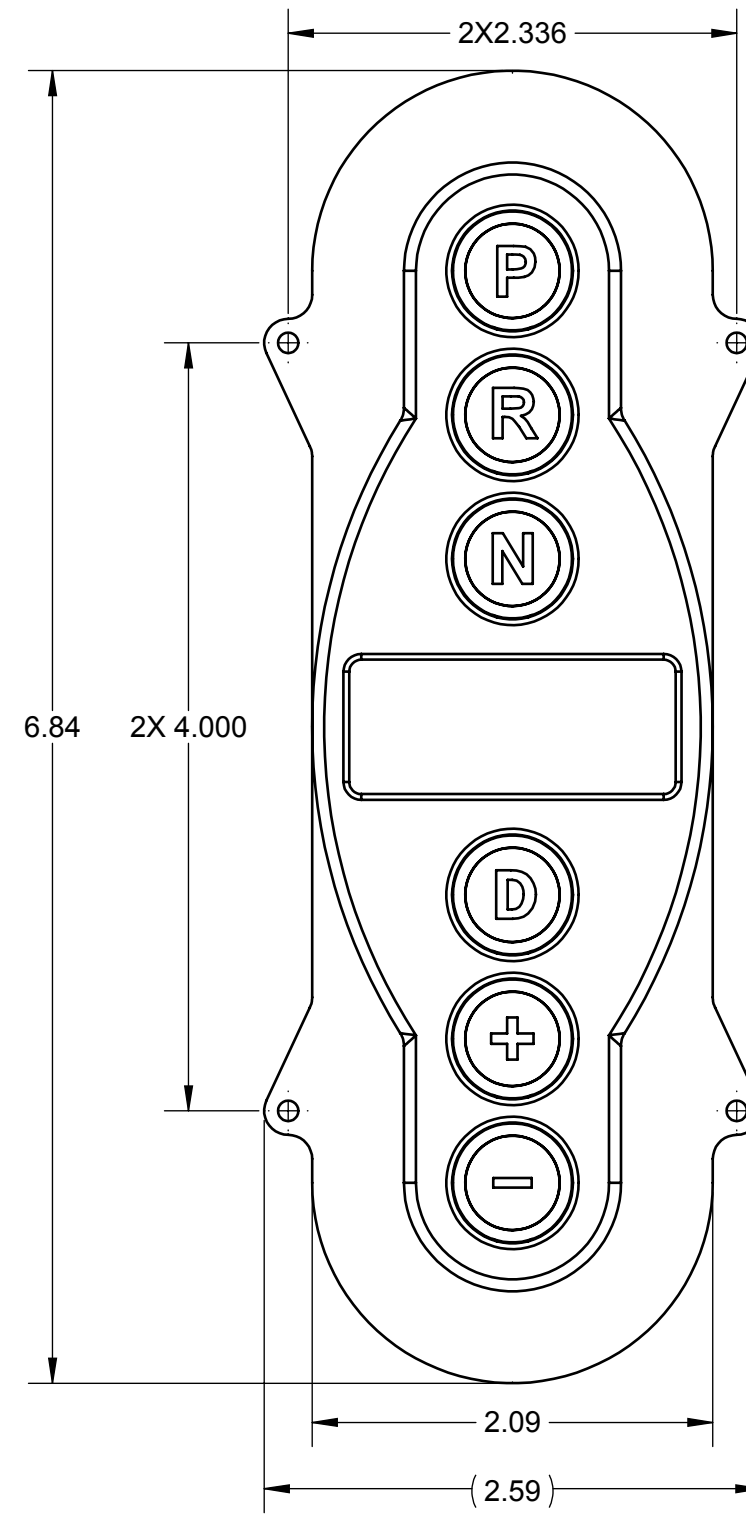
ISO VIEW
CASE REAR
SCALE: 1:2



ISO VIEW
HORIZONTAL
SCALE: 1:2



ISO VIEW
VERTICAL
SCALE: 1:2



FRONT VIEW - VERTICAL
CASE DIMENSIONS
SCALE: 1:1

PART NUMBER	PART NAME
A-GSM2104	RETRO GSM REMOTE - VERTICAL, CLEAR POLISHED
A-GSM2105	RETRO GSM REMOTE - HORIZONTAL, CLEAR POLISHED
A-GSM2102	RETRO GSM REMOTE - VERTICAL, BLACK ANODIZED
A-GSM2103	RETRO GSM REMOTE - HORIZONTAL, BLACK ANODIZED

NOTES:

- THIS DOCUMENT IS INTENDED AS A GENERAL REFERENCE FOR CUSTOMERS / VEHICLES INTENDING TO HAVE A PCS "RETRO GSM REMOTE".
- DO NOT INSTALL ANY COMPONENTS THAT SHOW MANUFACTURING DEFECTS OR SHIPPING DAMAGES.
- THE REMOTE IS NOT WEATHER-PROOF AND SHOULD NOT BE INCORPORATED INTO OPEN-CAB VEHICLES SUCH AS CONVERTIBLES, MOTORCYCLES, SLINGSHOTS, OR ATV'S. DOING SO WILL VOID THE WARRANTY.
- DO NOT DISASSEMBLE THE UNIT, DOING SO WILL VOID THE WARRANTY.

PROPRIETARY AND CONFIDENTIAL
THE INFORMATION CONTAINED IN THIS DRAWING IS THE SOLE PROPERTY OF PCS. ANY REPRODUCTION IN PART OR AS A WHOLE WITHOUT THE WRITTEN PERMISSION OF PCS IS PROHIBITED.

	DRAWN BY	MFP	2/19/2018
	ENG APPR.	JJK	2/22/2018
	DIMENSIONS ARE IN INCHES		SCALE: 1:2 SHEET 1 OF 2

PCS Powertrain Control Solutions
Engineering the future of driveline control

DESCRIPTION	
RETRO GSM REMOTE	
USED ON	NEXT ASSEMBLY
SIZE	DRAWING NO.
B	SEE CHART
REV	1