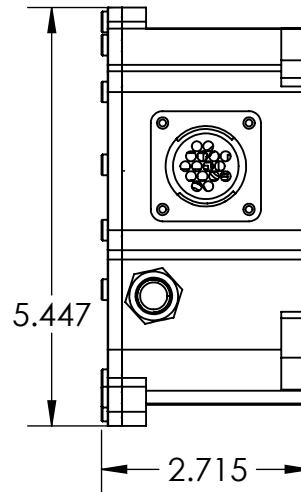


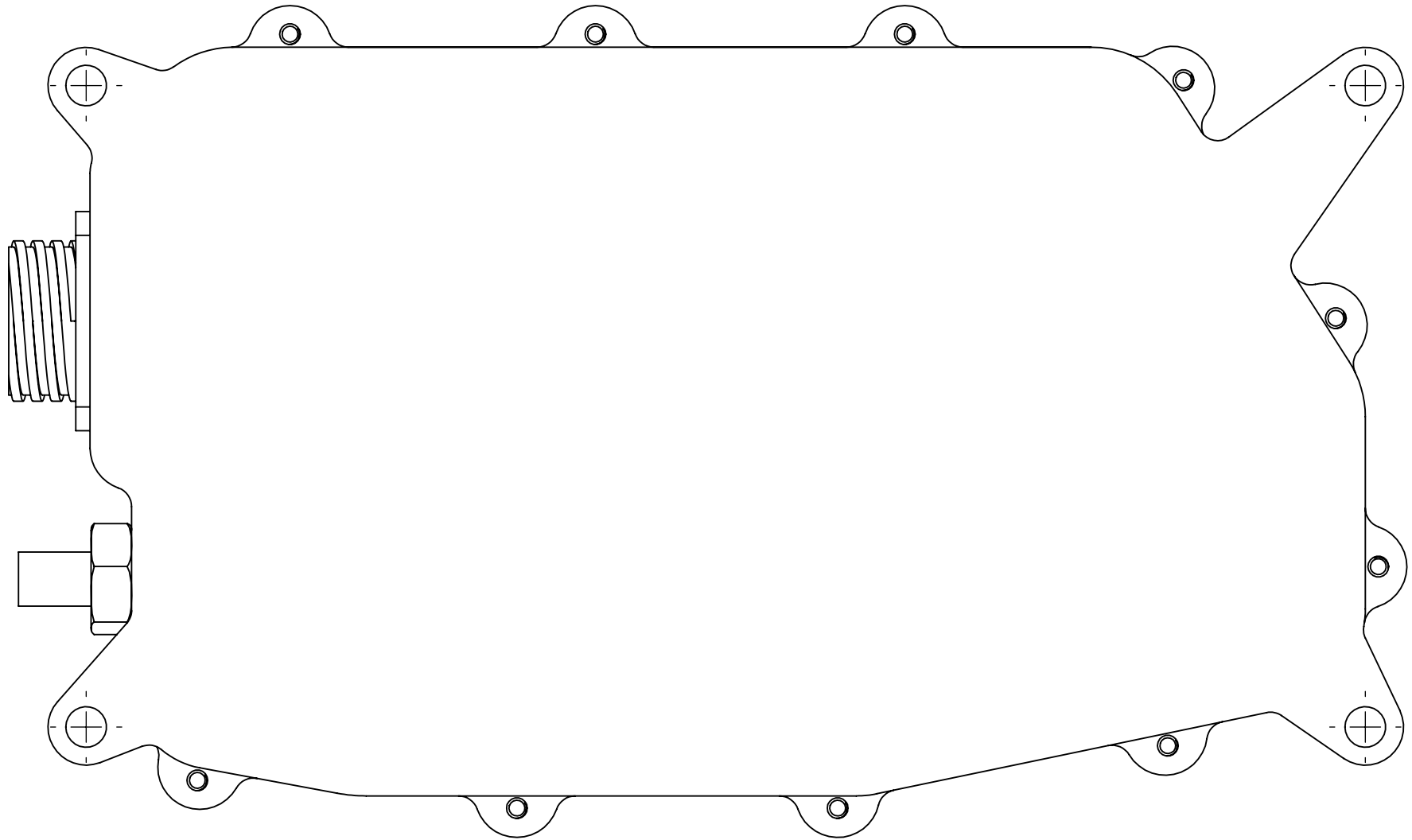
4X ϕ .266 THRU ALL



DIMENSIONS ARE IN INCHES:		NAME	DATE	Powertrain Control Solutions	
Linear Tolerance: \pm .005		DRAWN	MFP	9/25/2012	PART NAME: Gear Select Module
Angular Tolerance: \pm 1 degree		ENG APPR.	MFP	11/19/2012	
MATERIAL : 6061 Aluminum		COMMENTS :			
FINISH : -mill; deburr edges		-			
-anodize black		-			
DO NOT SCALE DRAWING		SCALE: 2:5	WEIGHT: 5.63lb		SIZE A
		SHEET 1 OF 2		PCS P/N : GSM1000	
				REV. 1	
				Related Project Gear Select Module	

PROPRIETARY AND CONFIDENTIAL:
THE INFORMATION CONTAINED IN THIS DRAWING IS THE SOLE PROPERTY OF POWERTRAIN CONTROL SOLUTIONS. ANY REPRODUCTION IN PART OR AS A WHOLE WITHOUT THE WRITTEN PERMISSION OF POWERTRAIN CONTROL SOLUTIONS IS PROHIBITED BY LAW.

1:1 Scale Mounting Template



PROPRIETARY AND CONFIDENTIAL:
 THE INFORMATION CONTAINED IN THIS DRAWING IS THE SOLE PROPERTY OF POWERTRAIN CONTROL SOLUTIONS. ANY REPRODUCTION IN PART OR AS A WHOLE WITHOUT THE WRITTEN PERMISSION OF POWERTRAIN CONTROL SOLUTIONS IS PROHIBITED BY LAW.

DIMENSIONS ARE IN INCHES: Linear Tolerance: $\pm .005$ Angular Tolerance: ± 1 degree		NAME MFP	DATE 9/25/2012	Powertrain Control Solutions	
MATERIAL : 6061 Aluminum		ENG APPR. MFP	11/19/2012	PART NAME: Gear Select Module	
FINISH : -mill; deburr edges -anodize black		COMMENTS : - - -		SIZE A	PCS P/N : GSM1000
DO NOT SCALE DRAWING		SCALE: 1:1	WEIGHT: 5.63lb	Related Project	REV. 1
		SHEET 2 OF 2		Gear Select Motor	