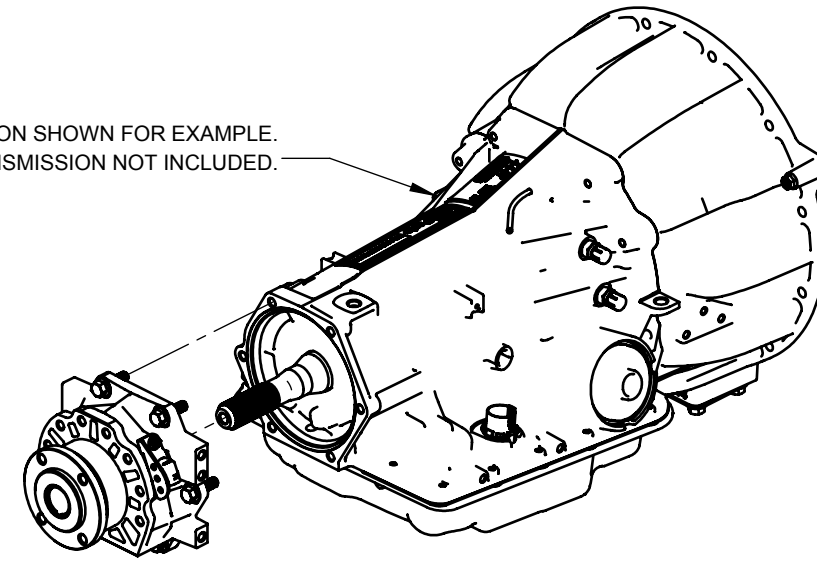


BOM #	DESCRIPTION	PCS PART #	QTY
1	EXTENSION HOUSING - 4LHD DISC PARKING BRAKE	BRK0203	1
2	DOUBLE BALL BEARING - 3208 A	TRN0270	1
3	80mm INTERNAL RETAINING RING	TRN0271	1
4	SEAL - OUTPUT SHAFT - 22640	TRN0272	1
5	YOKE - 4LHD DISC PARKING BRAKE - FIXED FLANGE	TPB5030	1
6	SPEED GEAR SPACER - 4LHD DISC PARKING BRAKE	TRN0273	1
7	PCS SPEED GEAR	TPB5011	1
8	1.5" EXTERNAL RETAINING RING	TRN7066	1
9	SEAL - 4LHD EXTENSION HOUSING	TRN7062	1
10	OUTPUT SPEED SENSOR - 4LHD	TRN7060	1
11	BOLT, M6X1.00X10mm FLANGED HEX	TRN7521	1

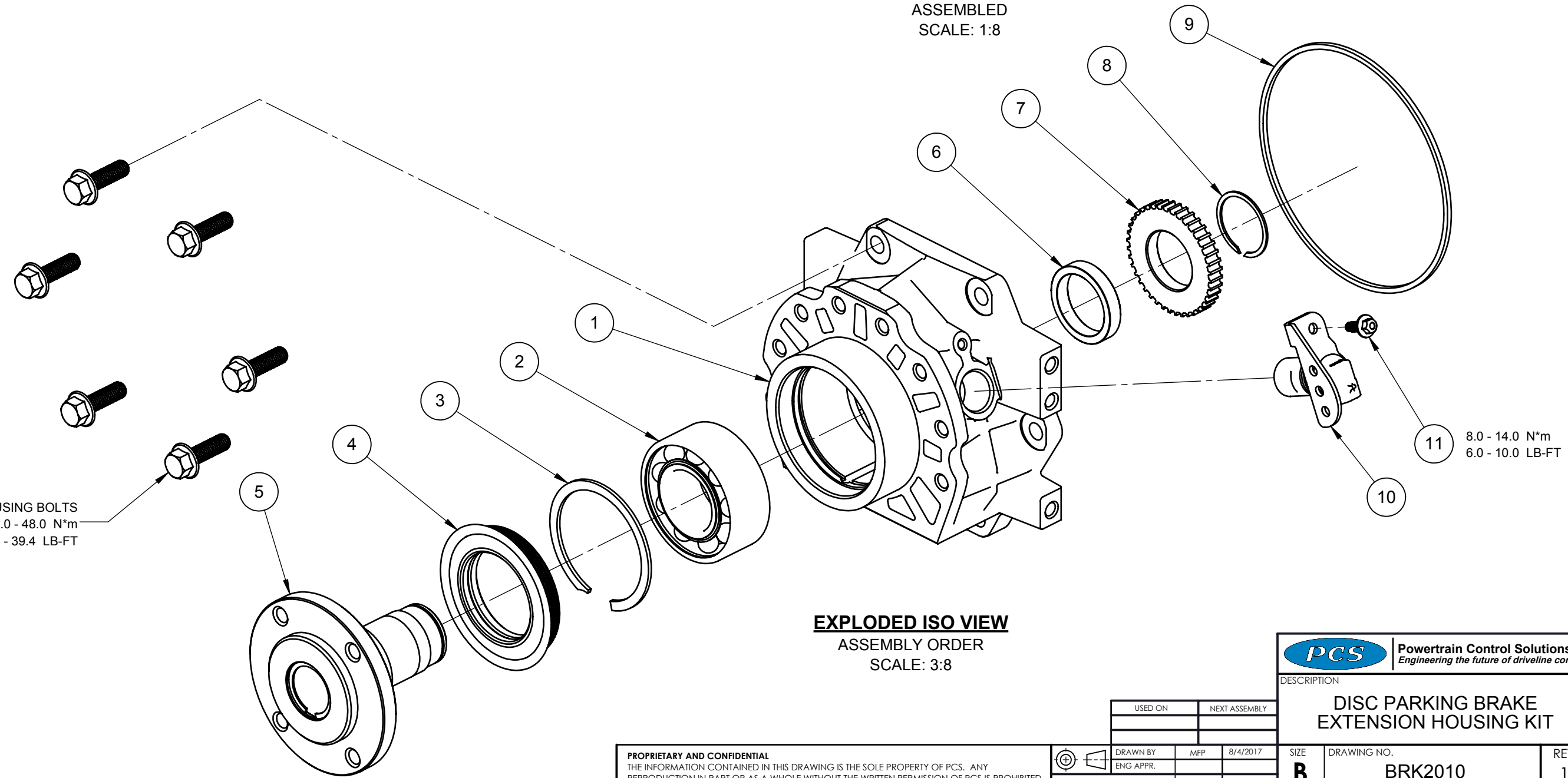
SAE4 BELLHOUSING AND TRANSMISSION SHOWN FOR EXAMPLE.
TRANSMISSION NOT INCLUDED.



ISO VIEW
ASSEMBLED
SCALE: 1:8

NOTES:

- DO NOT ASSEMBLE OR INSTALL COMPONENTS THAT SHOW MANUFACTURING DEFECTS OR SHIPPING / HANDLING DAMAGES.
- EXTENSION HOUSING BOLTS (8680874) ARE PROVIDED WITH THE TRANSMISSION AND ARE NOT A PART OF THIS KIT.
- FOR ASSEMBLY, INSTALLATION, AND MAINTENANCE PROCEDURES REFER TO THE "4LHD DISC PARKING BRAKE APPLICATION GUIDE".



EXPLODED ISO VIEW
ASSEMBLY ORDER
SCALE: 3:8

6X STOCK EXTENSION HOUSING BOLTS
M10X1.5X33.4mm 42.0 - 48.0 N*m
8680874 35.0 - 39.4 LB-FT

11 8.0 - 14.0 N*m
6.0 - 10.0 LB-FT



DESCRIPTION
**DISC PARKING BRAKE
EXTENSION HOUSING KIT**

PROPRIETARY AND CONFIDENTIAL
THE INFORMATION CONTAINED IN THIS DRAWING IS THE SOLE PROPERTY OF PCS. ANY
REPRODUCTION IN PART OR AS A WHOLE WITHOUT THE WRITTEN PERMISSION OF PCS IS PROHIBITED.

USED ON	NEXT ASSEMBLY
DRAWN BY	MFP 8/4/2017
ENG APPR.	
DIMENSIONS ARE IN INCHES	SCALE: 1:8 SHEET 1 OF 1

SIZE	DRAWING NO.	REV
B	BRK2010	1