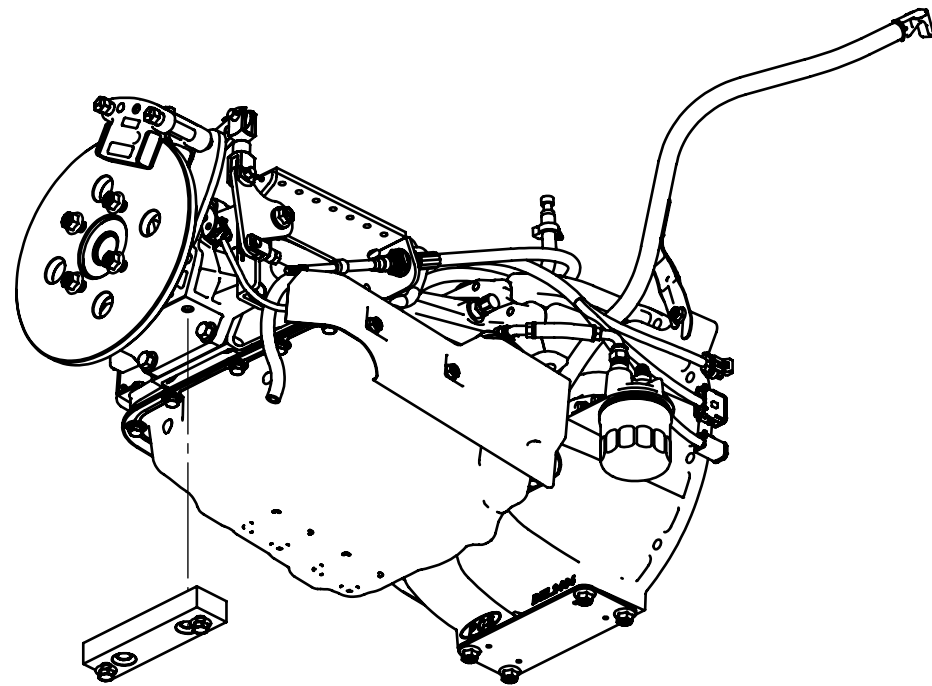
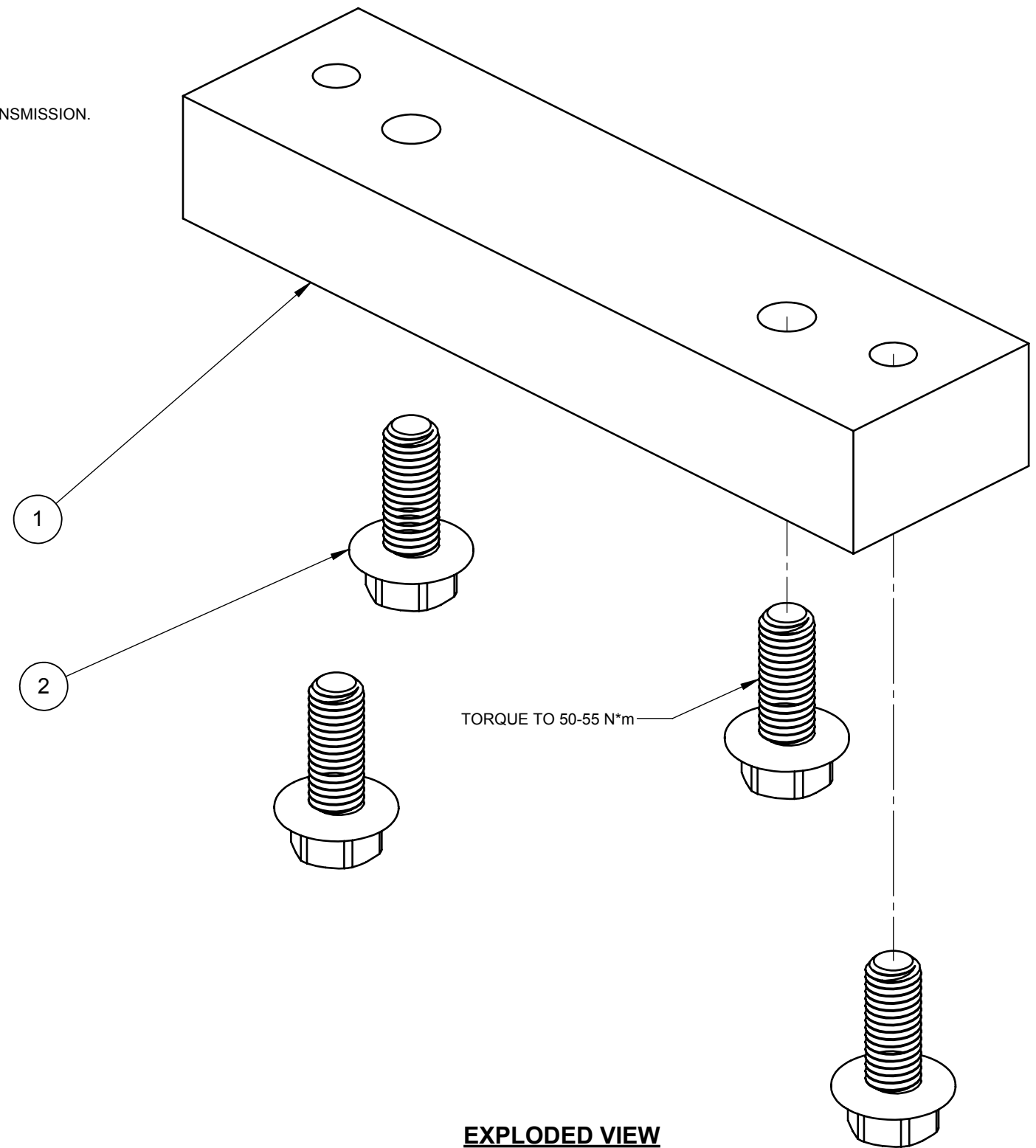


BOM #	DESCRIPTION	PCS PART #	QTY
1	4LHD TO C6 MOUNT ADAPTER	TRN0256	1
2	BOLT, M10X1.5X25mm FLANGED HEX	TRN7500	4

NOTES:

1. THE SHOWN KIT IS INTENDED TO ADAPT 4LHD TRANSMISSIONS TO UNITS WITH CROSSMEMBERS DESIGNED FOR THE FORD C6 TRANSMISSION.
2. USE RED THREADLOCKER ON ALL DRIVELINE COMPONENTS (BOLTS) EXPOSED TO HEAVY VIBRATION.



EXPLODED VIEW
GENERAL
SCALE: 1:1



DESCRIPTION
4LHD TO C6 MOUNT ADAPTER KIT

USED ON	NEXT ASSEMBLY

PROPRIETARY AND CONFIDENTIAL
THE INFORMATION CONTAINED IN THIS DRAWING IS THE SOLE PROPERTY OF PCS. ANY REPRODUCTION IN PART OR AS A WHOLE WITHOUT THE WRITTEN PERMISSION OF PCS IS PROHIBITED.

DRAWN BY	MFP	8/7/2017
ENG APPR.		
DIMENSIONS ARE IN INCHES		SCALE: 1:1 SHEET 1 OF 1

SIZE	DRAWING NO.	REV
B	BRK2019	1