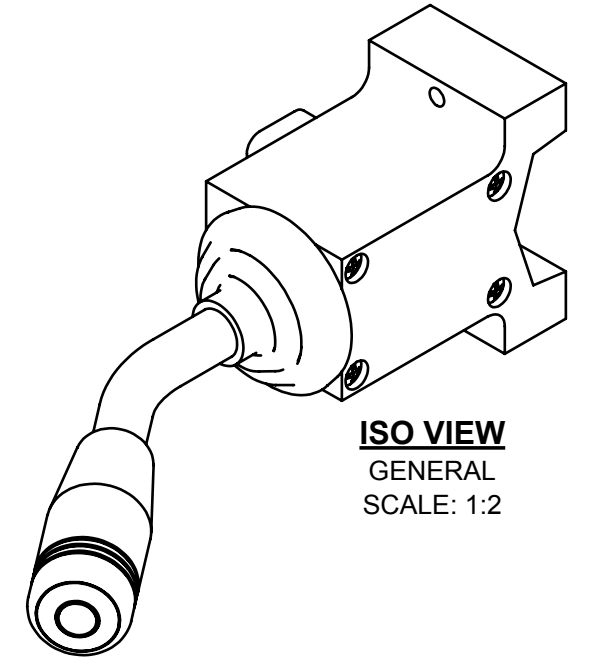
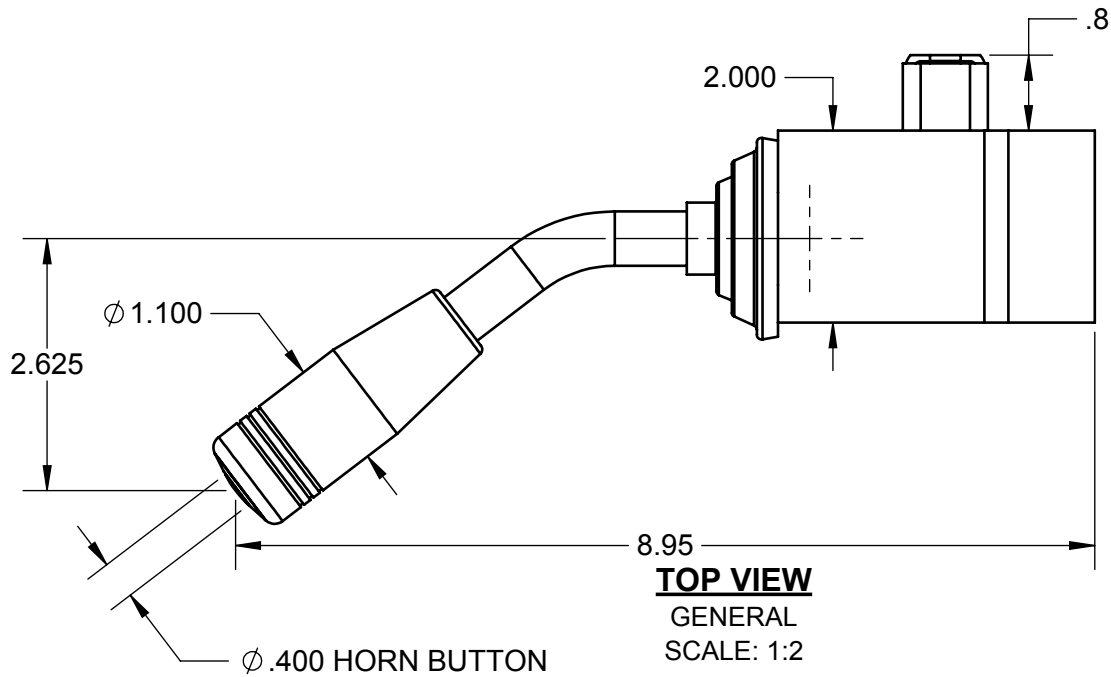


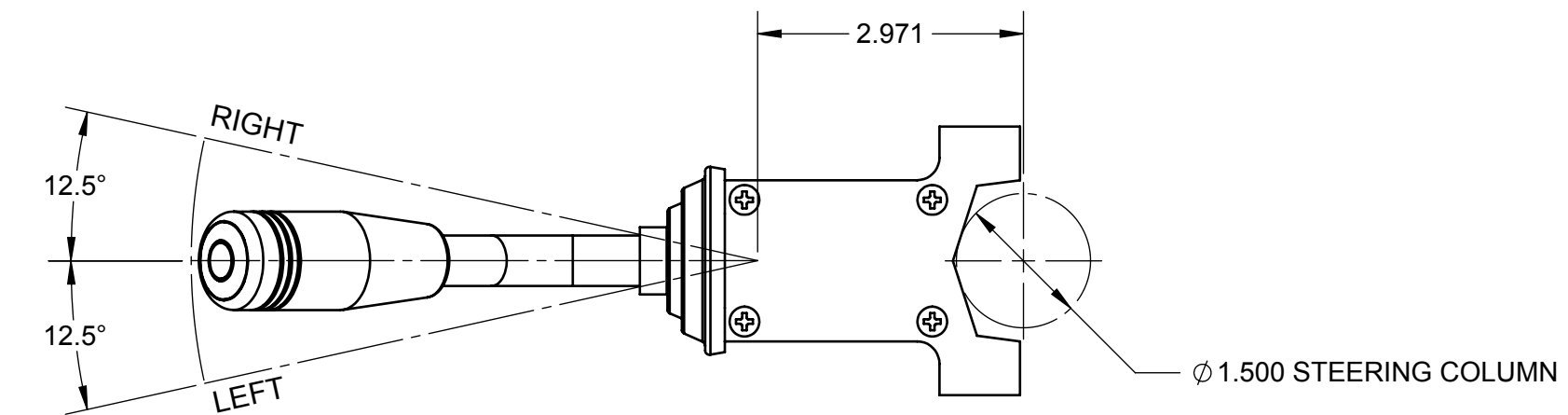
REAR VIEW
GENERAL
SCALE: 1:2



ISO VIEW
GENERAL
SCALE: 1:2

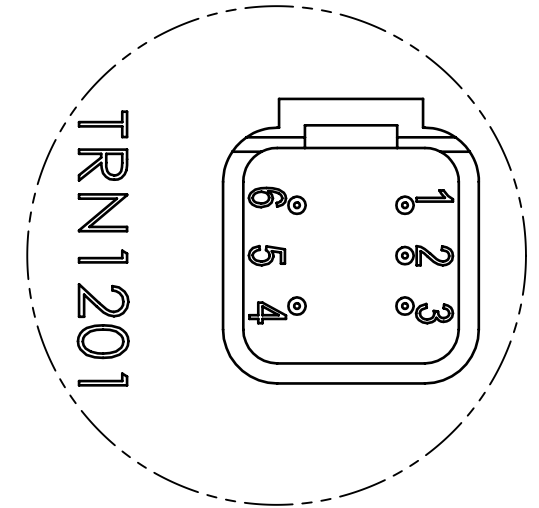


TOP VIEW
GENERAL
SCALE: 1:2



FRONT VIEW
SHIFTING AND COLUMN
SCALE: 1:2

MOLDED DEUTSCH DT04-6P PINOUT	
PIN	DESCRIPTION
1	GROUND (TURN SIG.)
2	HORN OUT
3	HORN IN
4	LEFT TURN SIG.
5	N / A
6	RIGHT TURN SIG.



DETAIL A
PINOUT
SCALE: 1:1



DESCRIPTION		TURN SIGNAL	
USED ON	NEXT ASSEMBLY	SIZE	DRAWING NO.
		B	TRN1201
DRAWN BY	MFP	1/30/18	REV
ENG APPR.			1
DIMENSIONS ARE IN INCHES		SCALE: 1:4	SHEET 1 OF 1

PROPRIETARY AND CONFIDENTIAL
THE INFORMATION CONTAINED IN THIS DRAWING IS THE SOLE PROPERTY OF PCS. ANY REPRODUCTION IN PART OR AS A WHOLE WITHOUT THE WRITTEN PERMISSION OF PCS IS PROHIBITED.