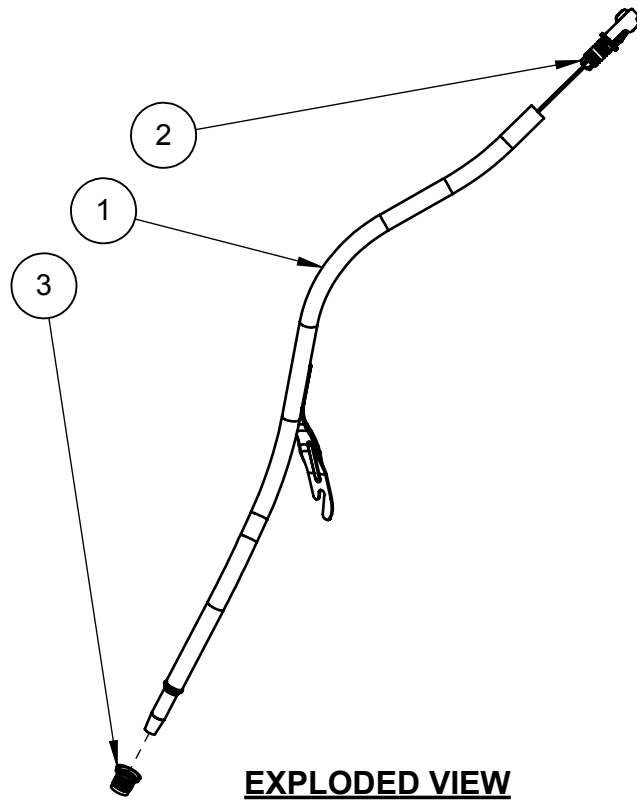


TRN7011 - 4LHD DIPSTICK KIT

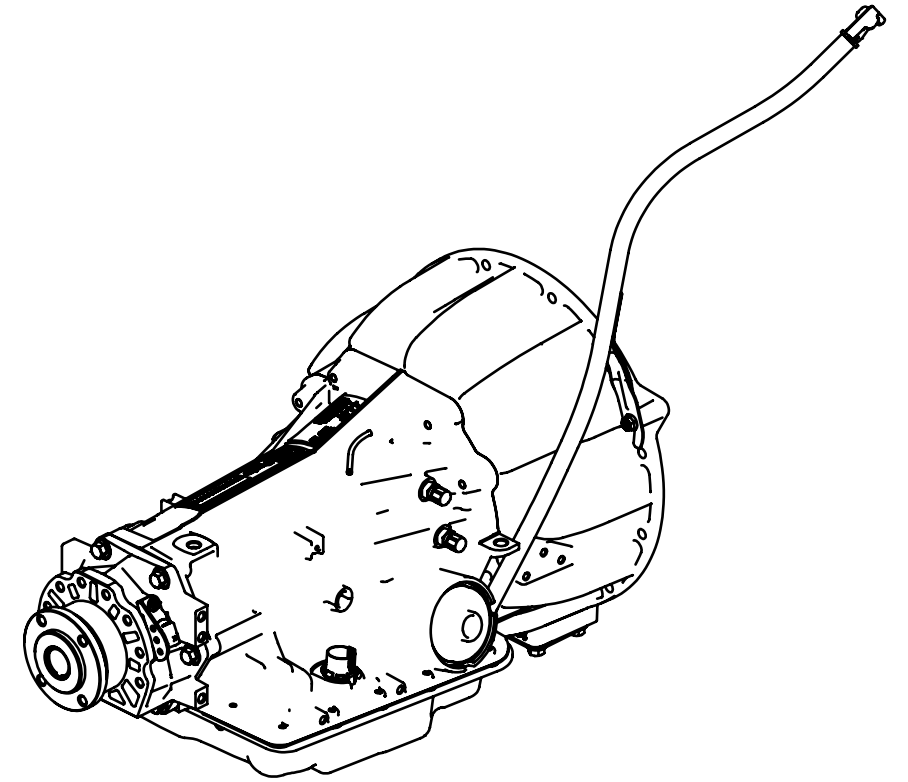
BOM #	DESCRIPTION	PCS PART #	QTY
1	4LHD DIPSTICK TUBE	TRN7031	1
2	4LHD DIPSTICK INDICATOR	TRN7032	1
3	4LHD DIPSTICK SEAL	TRN7030	1

NOTES:

- DO NOT INSTALL ANY PARTS IF THEY SHOW MANUFACTURING DEFECTS OR SHIPPING DAMAGE.
- DURING INSTALLATION ENSURE ALL FASTENERS ARE PROPERLY TORQUED AND THREADLOCKER APPLIED.
- FOR A PROPER AND ACCURATE ATF (AUTOMATIC TRANS FLUID) LEVEL READING ENSURE THE ATF IS TO OPERATING TEMPERATURE AND THE ENGINE IS RUNNING. FOR MORE INFORMATION SEE THE "PCS 4LHD TECHNICIANS GUIDE" OR THE "PCS 4LHD APPLICATION GUIDE".
- BOTH TRN7011 AND TRN7089 ARE COMPATIBLE WITH 4LHD / 4LHDX TRANSMISSIONS.



EXPLODED VIEW
STANDARD DIPSTICK
SCALE: 1:8



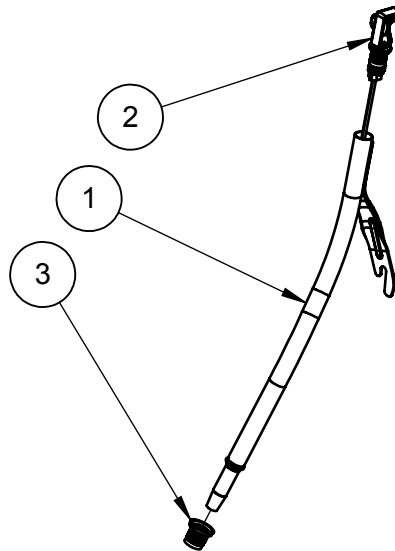
ISO VIEW
INSTALLED KIT
SCALE: 1:8

TRN7089 - 4LHD DIPSTICK KIT

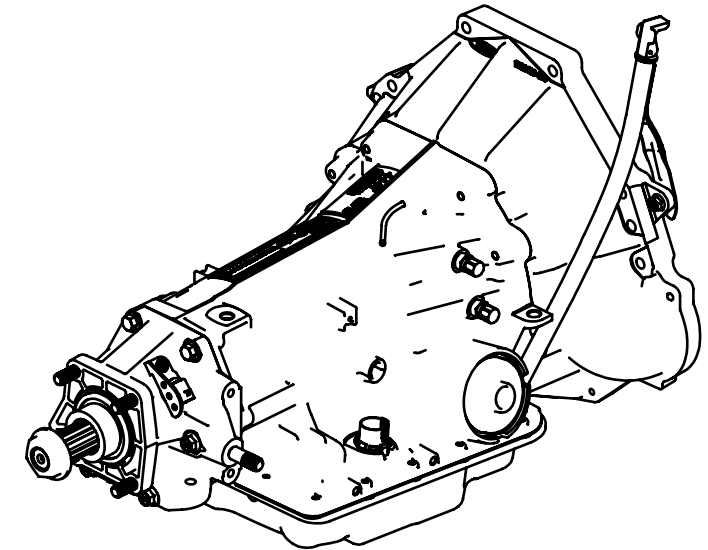
BOM #	DESCRIPTION	PCS PART #	QTY
1	4LHD DIPSTICK INDICATOR - SHORT	TRN0225	1
2	4LHD DIPSTICK TUBE - SHORT	TRN0224	1
3	4LHD DIPSTICK SEAL	TRN7030	1

NOTES:

- DO NOT INSTALL ANY PARTS IF THEY SHOW MANUFACTURING DEFECTS OR SHIPPING DAMAGE.
- DURING INSTALLATION ENSURE ALL FASTENERS ARE PROPERLY TORQUED AND THREADLOCKER APPLIED.
- FOR A PROPER AND ACCURATE ATF (AUTOMATIC TRANS FLUID) LEVEL READING ENSURE THE ATF IS TO OPERATING TEMPERATURE AND THE ENGINE IS RUNNING. FOR MORE INFORMATION SEE THE "PCS 4LHD TECHNICIANS GUIDE" OR THE "PCS 4LHD APPLICATION GUIDE".
- BOTH TRN7011 AND TRN7089 ARE COMPATIBLE WITH 4LHD / 4LHDX TRANSMISSIONS.



EXPLODED VIEW
SHORT DIPSTICK
SCALE: 1:8



ISO VIEW
INSTALLED KIT
SCALE: 1:8



DESCRIPTION	4LHD DIPSTICK KITS	
-------------	---------------------------	--

PROPRIETARY AND CONFIDENTIAL
THE INFORMATION CONTAINED IN THIS DRAWING IS THE SOLE PROPERTY OF PCS. ANY REPRODUCTION IN PART OR AS A WHOLE WITHOUT THE WRITTEN PERMISSION OF PCS IS PROHIBITED.

DRAWN BY	MFP	9/15/2017
ENG APPR.		
DIMENSIONS ARE IN INCHES		
SCALE: 1:8	SHEET 1 OF 1	

USED ON	NEXT ASSEMBLY
SIZE	B
DRAWING NO.	ITEMS SOLD SEPARATELY
REV	1