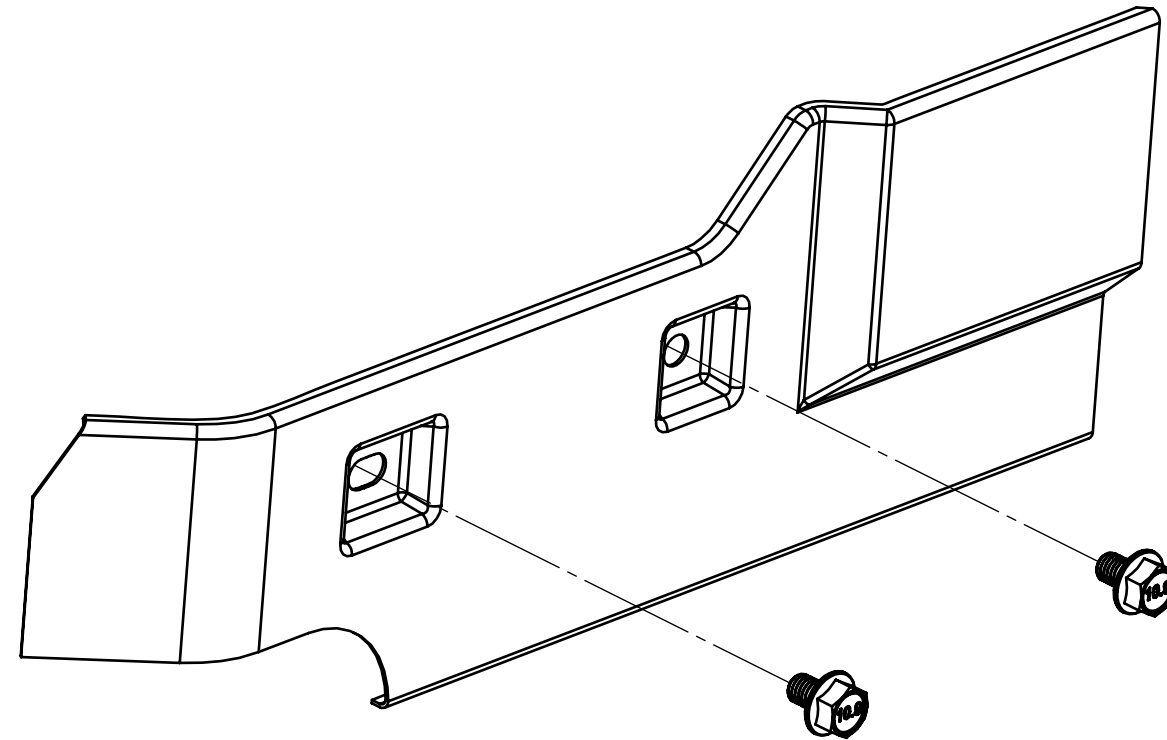
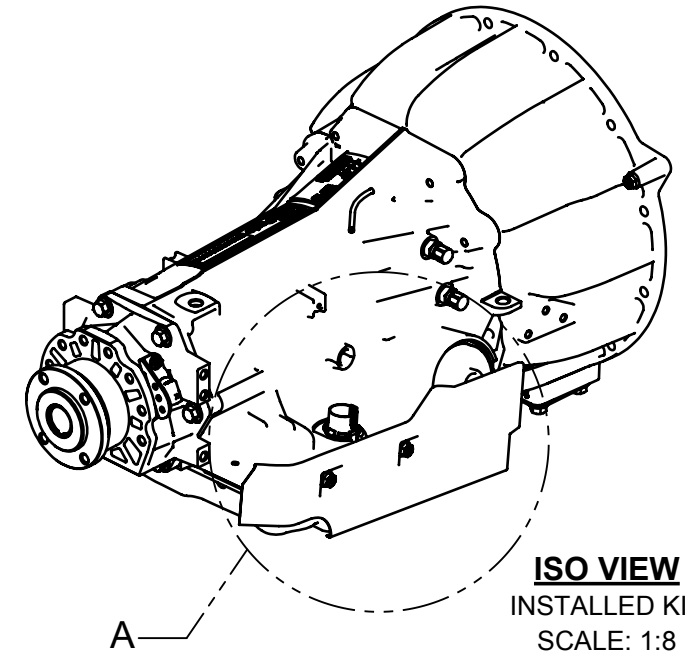


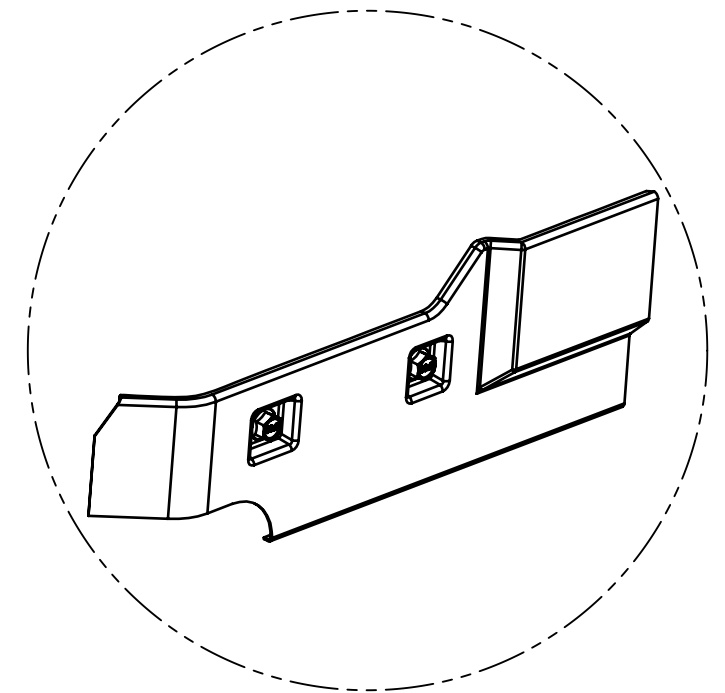
BOM #	DESCRIPTION	PCS PART #	QTY
1	4LHD HEAT SHEILD	TRN7021	1
2	M8X1.25X12mm FLANGED HEX BOLT	TRN7506	1



**EXPLODED VIEW**  
ASSEMBLY ORDER  
SCALE: 1:2



**ISO VIEW**  
INSTALLED KIT  
SCALE: 1:8



**DETAIL A**  
ASSEMBLED KIT  
SCALE: 1:4

**NOTES:**

- DO NOT INSTALL ANY PARTS THAT SHOW MANUFACTURING DEFECTS OR SHIPPING DAMAGE
- THIS KIT IS RECOMMENDED FOR VEHICLE INSTALLATIONS WHERE THE EXHAUST SYSTEM IS IN CLOSE PROXIMITY TO THE TRANSMISSION PACKAGE.
- REFER TO THE "PCS 4LHD APPLICATION GUIDE" FOR MORE INFORMATION REGARDING THERMAL REQUIREMENTS.



DESCRIPTION  
**4LHD HEAT SHEILD KIT**

**PROPRIETARY AND CONFIDENTIAL**  
THE INFORMATION CONTAINED IN THIS DRAWING IS THE SOLE PROPERTY OF PCS. ANY REPRODUCTION IN PART OR AS A WHOLE WITHOUT THE WRITTEN PERMISSION OF PCS IS PROHIBITED.

USED ON	NEXT ASSEMBLY
DRAWN BY	MFP 9/18/2017
ENG APPR.	
DIMENSIONS ARE IN INCHES SCALE: 1:12 SHEET 1 OF 1	

SIZE	DRAWING NO.	REV
<b>B</b>	TRN7012	1