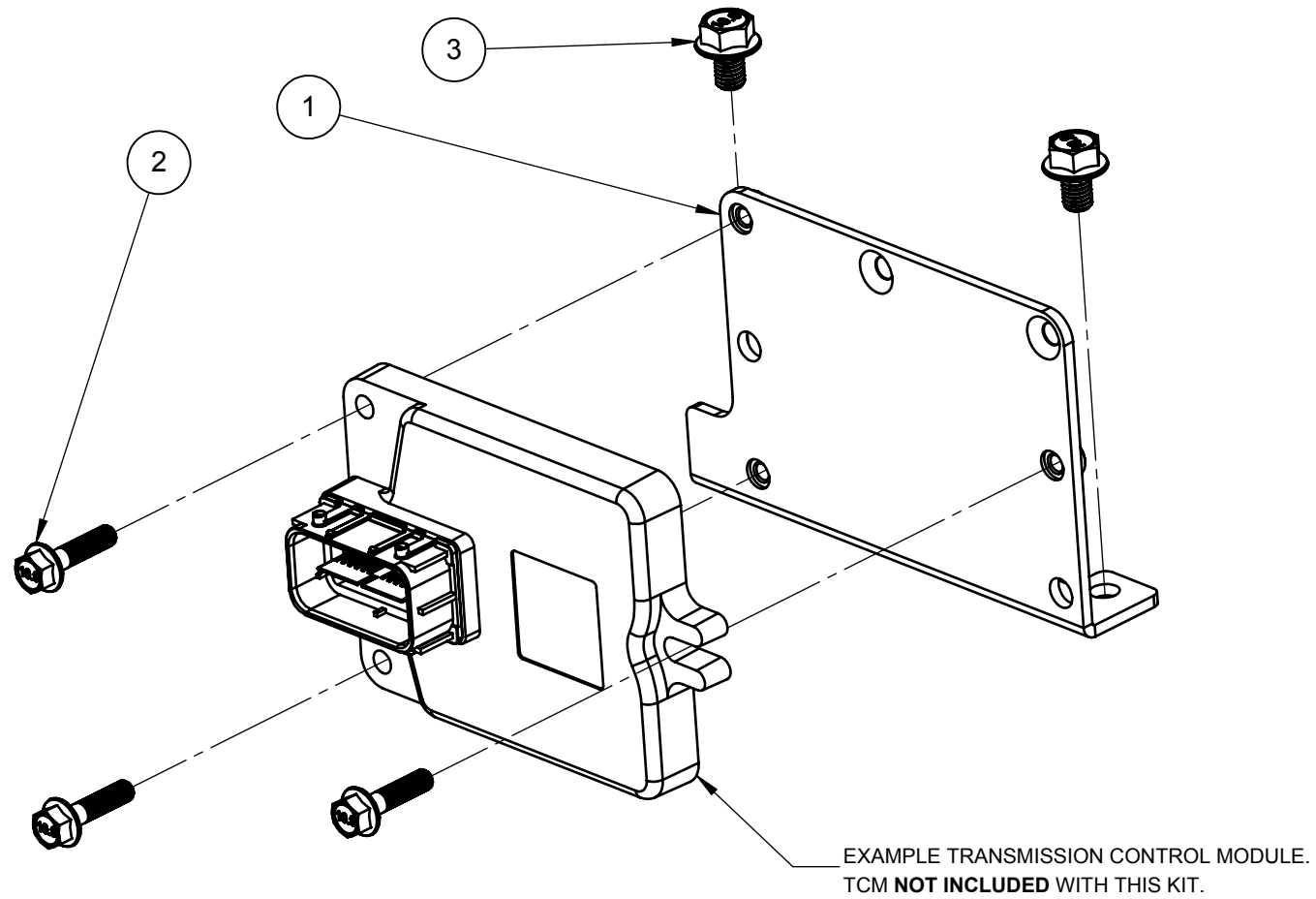
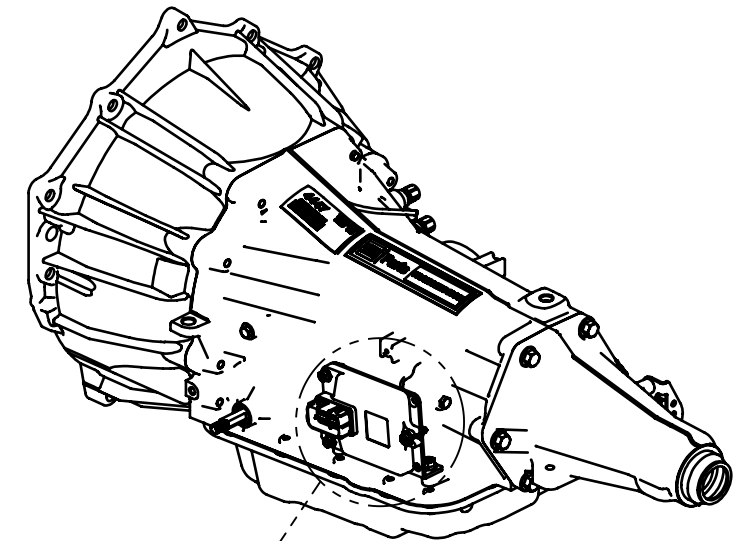


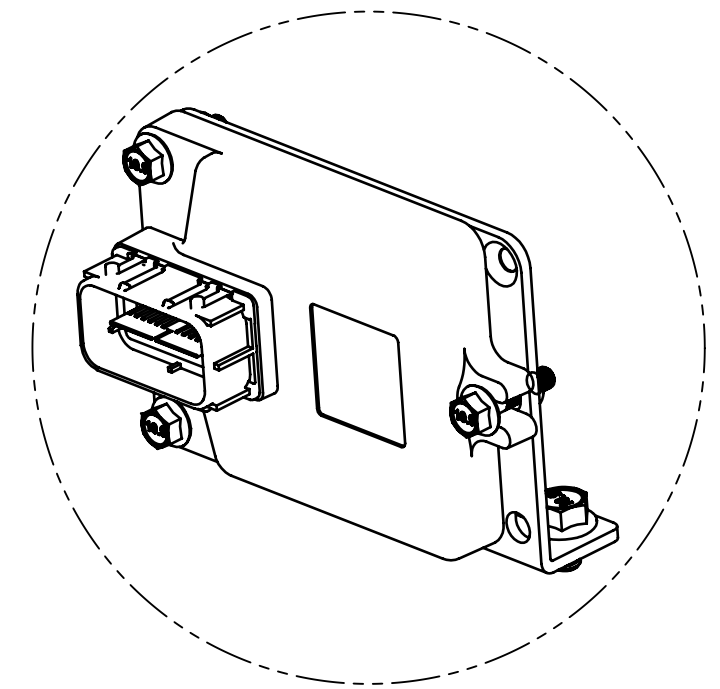
| BOM # | DESCRIPTION                   | PCS PART # | QTY |
|-------|-------------------------------|------------|-----|
| 1     | TCM BRACKET - 4LHD            | TRN7008    | 1   |
| 2     | M6X1.0X25mm FLANGED HEX BOLT  | TRN7507    | 3   |
| 3     | M8X1.25X12mm FLANGED HEX BOLT | TRN7506    | 2   |



**EXPLODED VIEW**  
ASSEMBLY ORDER  
SCALE: 1:2



**ISO VIEW**  
INSTALLED KIT  
SCALE: 1:8



**DETAIL A**  
ASSEMBLED KIT  
SCALE: 1:2

**NOTES:**

- DO NOT INSTALL ANY TRANSMISSION CONTROL MODULES THAT SHOWS MANUFACTURING DEFECTS OR SHIPPING DAMAGE.
- DO NOT INSTALL THE TRANSMISSION CONTROL MODULE NEAR ANY HEAT SOURCES OR WITHOUT ADEQUATE PROTECTION.
- REFER TO THE "MX123 CONNECTION SYSTEM USER MANUAL" ONLINE FOR INSTALLATION INSTRUCTIONS AND FURTHER INFORMATION REGARDING THE SEALED TCM CONNECTOR.
- REFER TO THE "PCS 4LHD APPLICATION GUIDE" OR THE RELEVANT CONTROLLER DRAWING FOR MORE INFORMATION REGARDING HANDLING, INSTALLATION, AND MAINTENANCE PROCEDURES FOR THE TRANSMISSION CONTROLLER.

**PROPRIETARY AND CONFIDENTIAL**  
THE INFORMATION CONTAINED IN THIS DRAWING IS THE SOLE PROPERTY OF PCS. ANY REPRODUCTION IN PART OR AS A WHOLE WITHOUT THE WRITTEN PERMISSION OF PCS IS PROHIBITED.

|                          |                              |           |                          |
|--------------------------|------------------------------|-----------|--------------------------|
| DIMENSIONS ARE IN INCHES | DRAWN BY<br>MFP<br>ENG APPR. | 9/15/2017 | SCALE: 1:16 SHEET 1 OF 1 |
|--------------------------|------------------------------|-----------|--------------------------|

|  |               |
|--|---------------|
| <b>Powertrain Control Solutions</b><br>Engineering the future of driveline control |               |
| DESCRIPTION  |               |
| 4LHD TCM BRACKET KIT   |               |
| USED ON  | NEXT ASSEMBLY |
| SIZE   | DRAWING NO.   |
| <b>B</b>   | TRN8360       |
| REV  | 1             |